



General Installation Instruction

Main installation materials:



decking



joist



facial board



clip



starting clip



gap control clip

Installation tools:



churn drill



electric saw



electric portable drill



driver

1. Special caution:



Reading before installation:

1.1 Before installation, ensure the ground is smooth, clean and solid. For muck foundation, it is necessary to lay a solid substrate to fix the joist. In such situation, necessary to contact with factory's technical personnel.

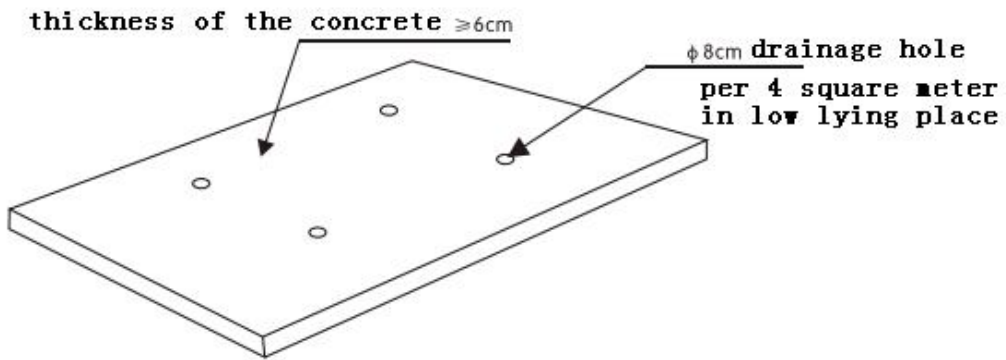
1.2 For concrete ground, guarantee their thickness is $\geq 6\text{cm}$, in order to avoid the phenomena of craze, sink or the expansion pipe (wood bilge plug) could not be well-stressed when drilling joist location hole. (Suggested horizontal deviation is less than 5mm). For the concrete ground is closed bottomland, guarantee that every 4m^2 , at least two holes with diameter $\geq 8\text{cm}$ to connect with underground that will make the water infiltrate well to underground, so as not to cause water accumulation.

1.3 The ground should not have water accumulation for a long time.

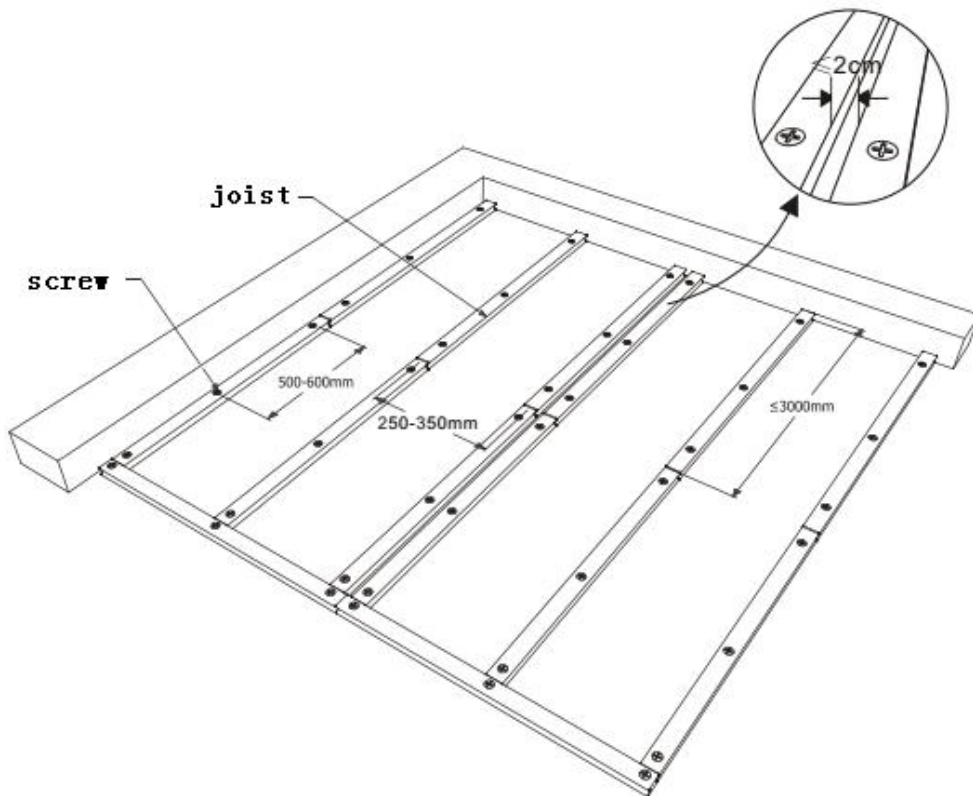
1.4 Synthetic Decking products shall not be used as structural material such as columns, beams, joists, support posts or other load bearing segments. We will not afford the responsibility if construction do not comply with installation instruction.

1.5 Electrical drill must be used within installation, Due to the crispness of the WPC, it must pre-drill the hole when fasten the board to the joist, board will break when screw them directly.

1.6 Expansion issue: the ratio of expansion and contraction of Synthetic Decking is about 1.5mm/meter, so the gap must be leaved between each board when installation.



2. Joist installation



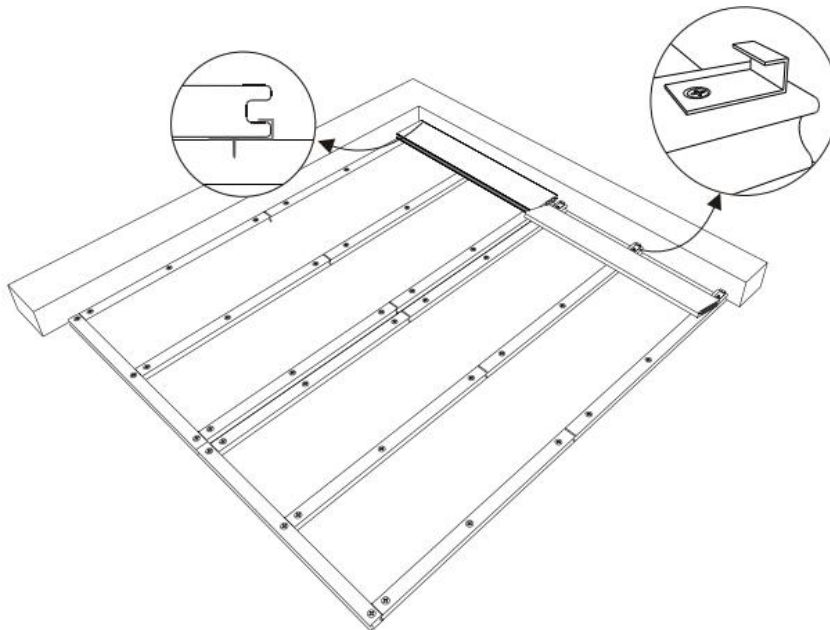


The distance between two joist: 20-50cm are commonly recommended for the distance of the two parallel joists, if the board are not vertical to the joist when installation, the distance must be shorter then normal, long distance will make the board warp downward. Detailed parameters please see the table 1.

Table 1

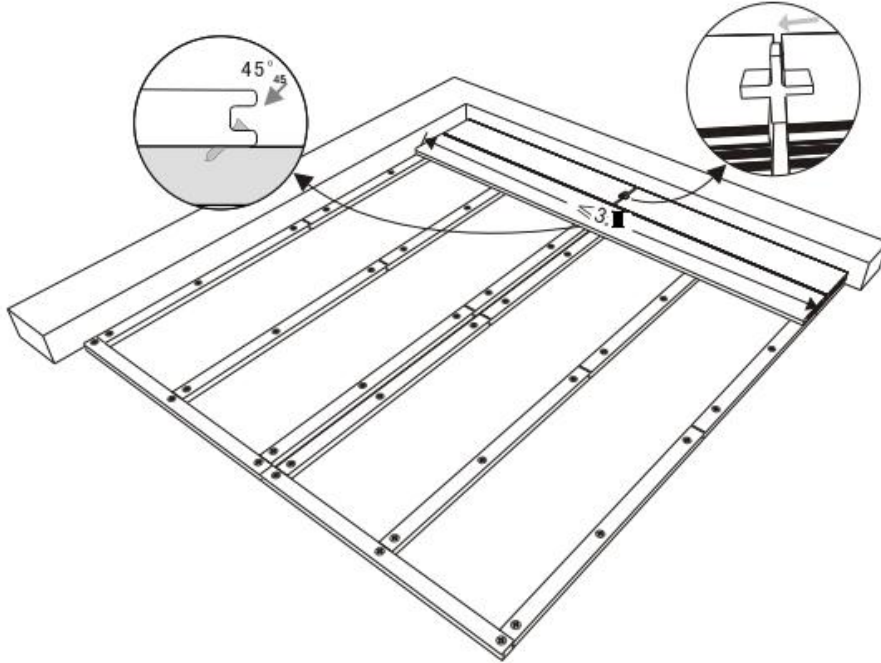
WPC decking	Thickness of board	Distance between parallel joists
	21 ± 2mm	25 ± 5mm
	25 ± 2mm	30 ± 5mm
	30 ± 2mm	35 ± 5mm
	35 ± 2mm	40 ± 5mm
	50 ± 2mm	50 ± 5mm

3. Decking installation-1



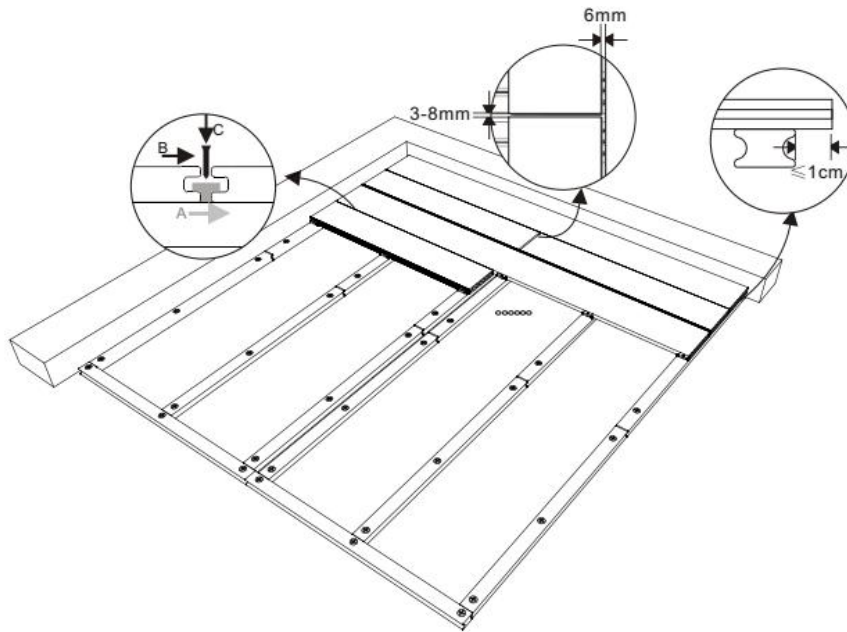
Starting clip installation, use the stainless steel screw to fasten the starting clip to the joist before installing the first decking.

4. Decking installation-2



- ① The gap is controlled by gap control clip.
- ② It is suggested that the length of WPC decking do not more than 3m due to the ratio of expansion and extraction of decking is 1.5mm/meter.
- ③ It must use stainless steel to fasten the decking with angle of 45 degree in the middle of the decking to lock the middle of decking, so the decking will expansion or extraction toward two sides.

5. Decking installation-3

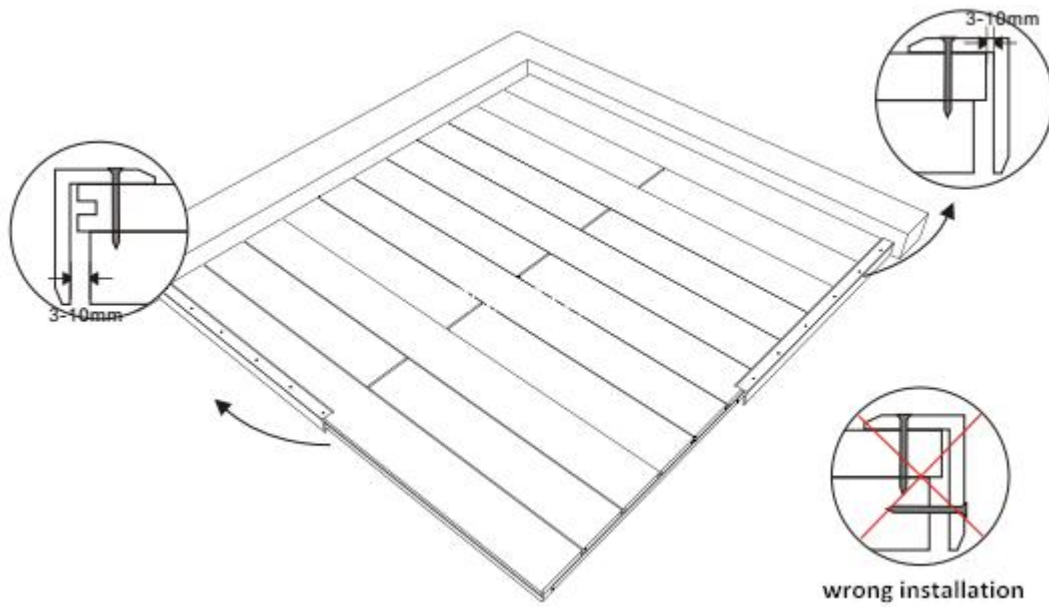


- ① Two joists must be used at end-to-end part of two deckings, side-to-side distance of the two deckings is 6mm which is controlled by clip, end-to-end gap is normally 3-8mm.(see table 2)
- ② The protruding length of the decking should not be more than 1cm neither in the rim nor in the gap of the whole decking board if the decking protrude joist.

Season	Reserved value	Morning/evening(sunny)	Noon(sunny)
Spring/winter	5-8mm	7-8mm	5-6mm
Summer/autumn	3-5mm	4-5mm	3-4mm

Table 2

6. Fascia installation



The general installation of the end of decking board and joist, fascia should be fastened on one position of decking board or joist, do not permit to fasten on the board and joist simultaneously.

7. Final installation effect

